



Superior Clamping and Gripping



Product Information

pillar assembly system hollow pillar SLH

SLH

pillar assembly system hollow pillar

Modular. Robust. Flexible.

SAS

Pillars, hard-chromium plated, ground

Field of application

For the construction of system modules from SCHUNK Montageautomation, for all kinds of constructions in clean or dirty environments. The numerous clamping elements ensure manifold combinations of pillars and support plates.

Advantages – Your benefits

Steel pillars for high stiffness and movement free from vibrations

Precise form and position tolerance for high accuracy, even with long pillars

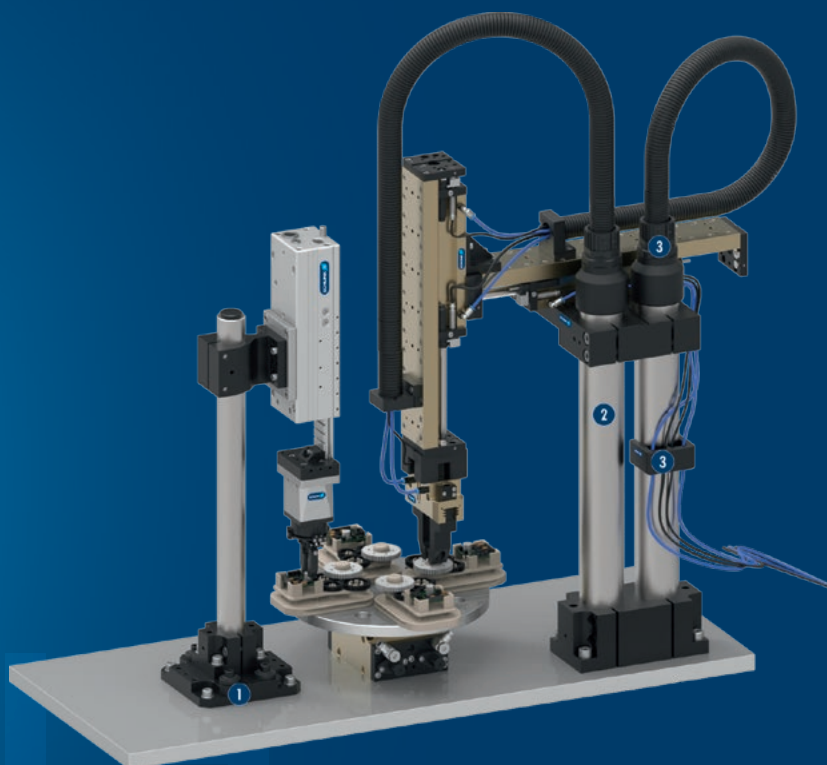
Several pillar diameters for minimum interfering contours of the entire system



Options and special information

We are also supplying pillars for your assembly in customized lengths. Please contact us.

Application example



① VEH adjustment unit

② Pillar assembly system

③ Media routing

SCHUNK offers more ...

The following components make the product even more productive – the suitable addition for the highest functionality, flexibility, reliability, and controlled production.



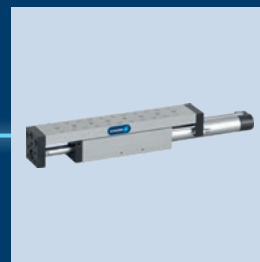
LM pneumatic linear module



KLM pneumatic linear module



CLM pneumatic linear module



Electric linear module ELM

① For more information on these products can be found on the following product pages or at schunk.com.

SLH 20

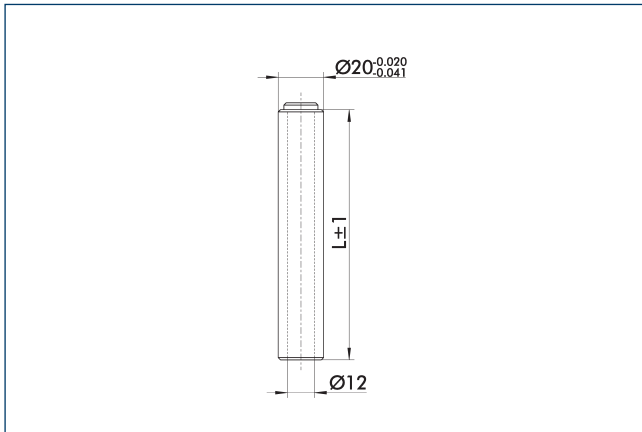
pillar assembly system hollow pillar



Technical data

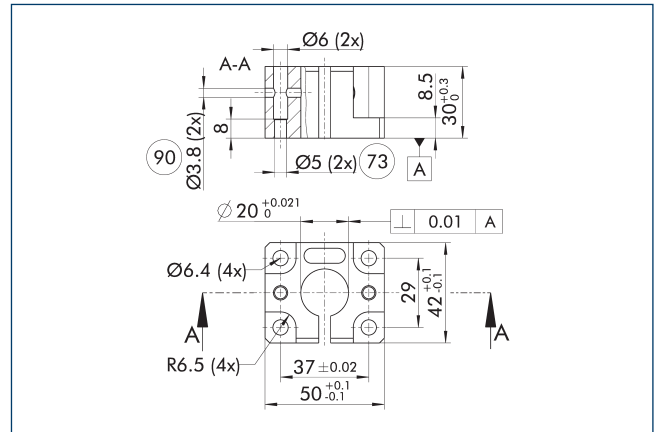
Description	ID	Material	Length [mm]	pillar diameter [mm]
SLH 20-0100	0313620	Steel	100	20
SLH 20-0110	0313621	Steel	110	20
SLH 20-0120	0313622	Steel	120	20
SLH 20-0130	0313623	Steel	130	20
SLH 20-0140	0313624	Steel	140	20
SLH 20-0150	0313625	Steel	150	20
SLH 20-0160	0313626	Steel	160	20
SLH 20-0170	0313627	Steel	170	20
SLH 20-0180	0313628	Steel	180	20
SLH 20-0190	0313629	Steel	190	20
SLH 20-0200	0313630	Steel	200	20
SLH 20-0210	0313631	Steel	210	20
SLH 20-0220	0313632	Steel	220	20
SLH 20-0230	0313633	Steel	230	20
SLH 20-0240	0313634	Steel	240	20
SLH 20-0250	0313635	Steel	250	20
SLH 20-0260	0313636	Steel	260	20
SLH 20-0270	0313637	Steel	270	20
SLH 20-0280	0313638	Steel	280	20
SLH 20-0290	0313639	Steel	290	20
SLH 20-0300	0313640	Steel	300	20
SLH 20-0310	0313641	Steel	310	20
SLH 20-0320	0313642	Steel	320	20
SLH 20-0330	0313643	Steel	330	20
SLH 20-0340	0313644	Steel	340	20
SLH 20-0350	0313645	Steel	350	20
SLH 20-0360	0313646	Steel	360	20
SLH 20-0370	0313647	Steel	370	20
SLH 20-0380	0313648	Steel	380	20
SLH 20-0390	0313649	Steel	390	20
SLH 20-0400	0313650	Steel	400	20
SLH 20-0410	0313651	Steel	410	20
SLH 20-0420	0313652	Steel	420	20
SLH 20-0430	0313653	Steel	430	20
SLH 20-0440	0313654	Steel	440	20
SLH 20-0450	0313655	Steel	450	20
SLH 20-0460	0313656	Steel	460	20
SLH 20-0470	0313657	Steel	470	20
SLH 20-0480	0313658	Steel	480	20
SLH 20-0490	0313659	Steel	490	20
SLH 20-0500	0313660	Steel	500	20

Hollow pillar SLH



The hollow pillars SLH can be also ordered in customer-specified lengths.

Single base support, SOE 20



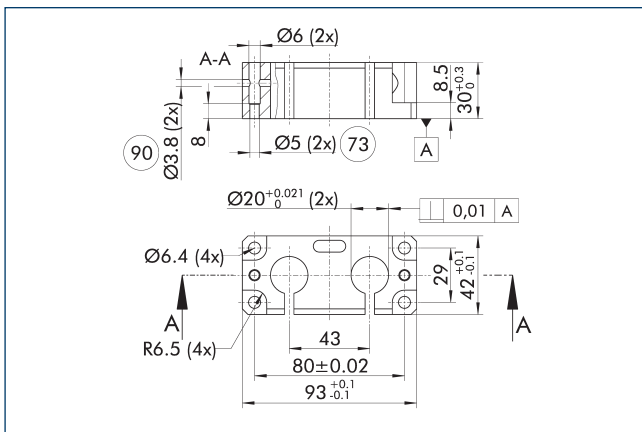
73 Fit for centering pins

90 Auxiliary hole for centering the column

Base for fastening the pillars

Description	ID	pillar diameter [mm]	Material
Pillar assembly system base support socket			
SOE 20	0313611	20	Aluminum

Double base SOD 20



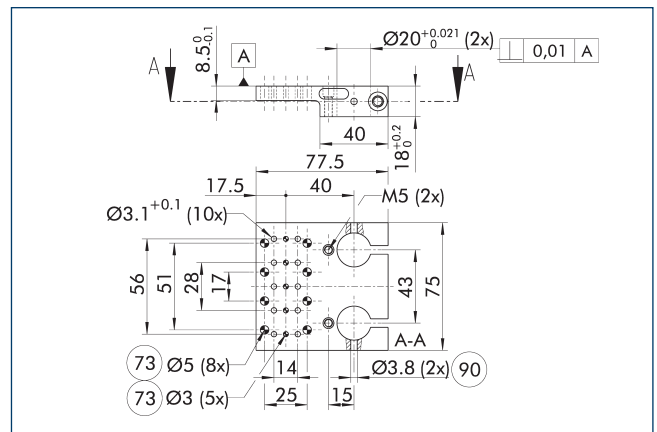
73 Fit for centering pins

90 Auxiliary hole for centering the column

Base for fastening the pillars

Description	ID	pillar diameter [mm]	Material
Pillar assembly system base support socket			
SOD 20	0313612	20	Aluminum

Double mounting plate, horizontal APDH 20



73 Fit for centering pins

90 Auxiliary hole for centering the column

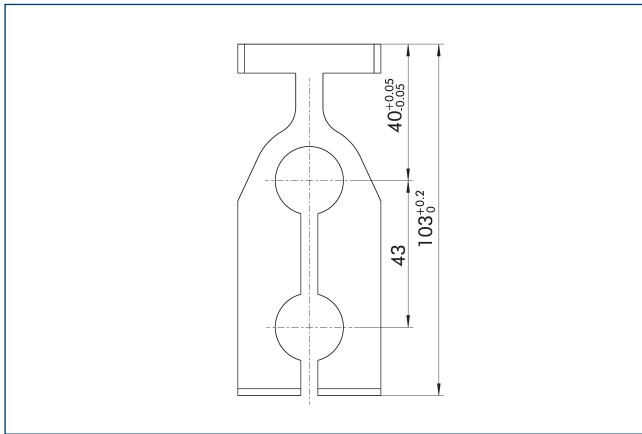
Mounting plate for horizontal connection of various modules or customized assemblies to the pillar assembly system.

Description	ID	pillar diameter [mm]	Material
Pillar assembly system mounting plate			
APDH 20	0313614	20	Aluminum

SLH 20

pillar assembly system hollow pillar

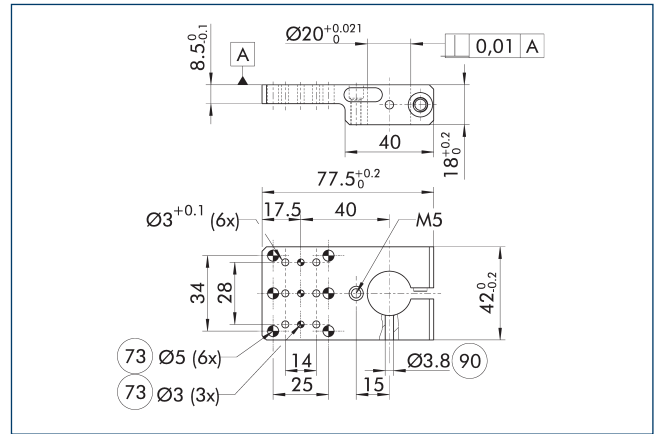
Double mounting plate, vertical APDV 20



Mounting plate for vertical connection of various modules or customized assemblies to the pillar assembly system.

Description	ID	pillar diameter [mm]	Material
Pillar assembly system mounting plate			
APDV 20	0313616	20	Aluminum

Single mounting plate, horizontal, APEH 20



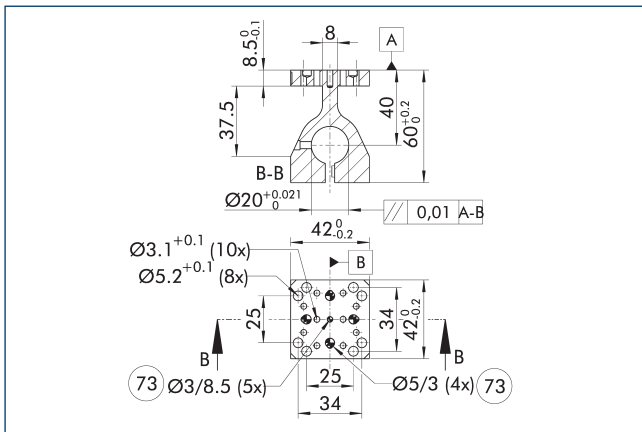
73 Fit for centering pins

90 Auxiliary hole for centering the column

Mounting plate for horizontal connection of various modules or customized assemblies to the pillar assembly system.

Description	ID	pillar diameter [mm]	Material
Pillar assembly system mounting plate			
APEH 20	0313613	20	Aluminum

Single mounting plate, vertical, APEV 20

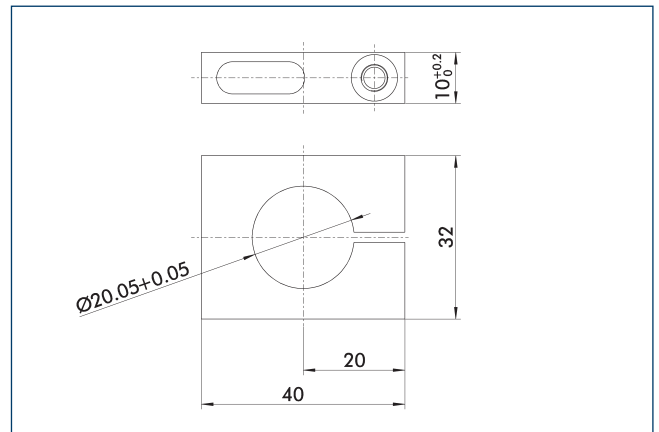


73 Fit for centering pins

Mounting plate for vertical connection of various modules or customized assemblies to the pillar assembly system.

Description	ID	pillar diameter [mm]	Material
Pillar assembly system mounting plate			
APEV 20	0313615	20	Aluminum

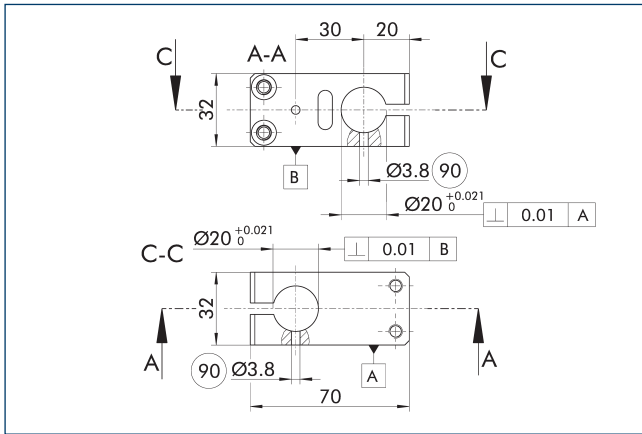
Adjusting ring STR 20



Set collar for exact positioning of structural elements

Description	ID	pillar diameter [mm]	Material
Pillar assembly system set collar			
STR 20	0313617	20	Aluminum

Cross connector KVB 20

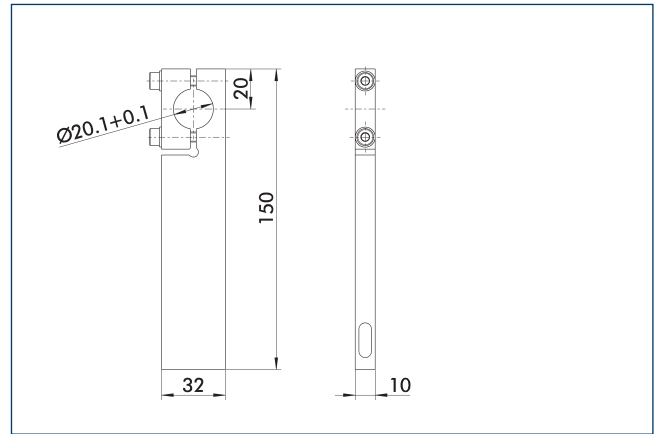


90 Auxiliary hole for centering the column

Cross connector for implementing perpendicular extended variants

Description	ID	pillar diameter [mm]	Material
Pillar assembly system cross connector			
KVB 20	0313618	20	Aluminum

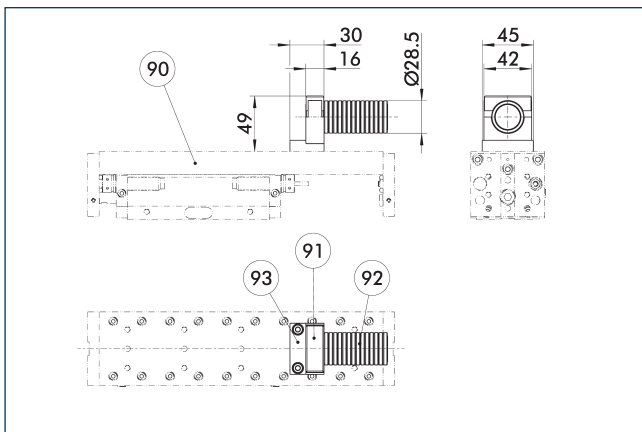
Mounting plate, MPL 20



Mounting plate for extending and supporting the pillar assembly system

Description	ID	pillar diameter [mm]	Material
Pillar assembly system mounting plates			
MPL 20	0313619	20	Aluminum

Media routing hose module Ø 21

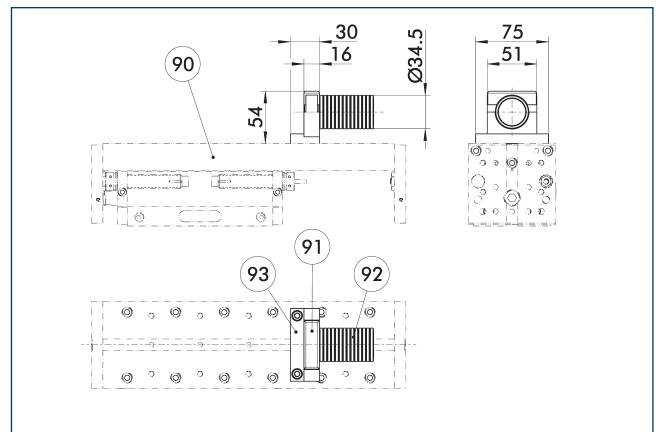


- 90 Linear module
- 91 Tube fastener MFB
- 92 Tube MFS
- 93 Tube plate SPL

Media routing with direct mounting on SCHUNK standard modules.

Description	ID	
Pillar assembly system media feed-through		
MFB 21	0313676	
MFS 21	0313678	
SPL 50	0313692	

Media routing hose module Ø 29



- 90 Linear module
- 91 Tube fastener MFB
- 92 Tube MFS
- 93 Tube plate SPL

Media routing with direct mounting on SCHUNK standard modules.

Description	ID	
Pillar assembly system media feed-through		
MFB 29	0313677	
MFS 29	0313679	
SPL 200	0313693	

SLH 35

pillar assembly system hollow pillar



Technical data

Description	ID	Material	Length [mm]	pillar diameter [mm]
SLH 35-0100	0313800	Steel	100	35
SLH 35-0110	0313801	Steel	110	35
SLH 35-0120	0313802	Steel	120	35
SLH 35-0130	0313803	Steel	130	35
SLH 35-0140	0313804	Steel	140	35
SLH 35-0150	0313805	Steel	150	35
SLH 35-0160	0313806	Steel	160	35
SLH 35-0170	0313807	Steel	170	35
SLH 35-0180	0313808	Steel	180	35
SLH 35-0190	0313809	Steel	190	35
SLH 35-0200	0313810	Steel	200	35
SLH 35-0210	0313811	Steel	210	35
SLH 35-0220	0313812	Steel	220	35
SLH 35-0230	0313813	Steel	230	35
SLH 35-0240	0313814	Steel	240	35
SLH 35-0250	0313815	Steel	250	35
SLH 35-0260	0313816	Steel	260	35
SLH 35-0270	0313817	Steel	270	35
SLH 35-0280	0313818	Steel	280	35
SLH 35-0290	0313819	Steel	290	35
SLH 35-0300	0313820	Steel	300	35
SLH 35-0310	0313821	Steel	310	35
SLH 35-0320	0313822	Steel	320	35
SLH 35-0330	0313823	Steel	330	35
SLH 35-0340	0313824	Steel	340	35
SLH 35-0350	0313825	Steel	350	35
SLH 35-0360	0313826	Steel	360	35
SLH 35-0370	0313827	Steel	370	35
SLH 35-0380	0313828	Steel	380	35
SLH 35-0390	0313829	Steel	390	35
SLH 35-0400	0313830	Steel	400	35
SLH 35-0410	0313831	Steel	410	35
SLH 35-0420	0313832	Steel	420	35
SLH 35-0430	0313833	Steel	430	35
SLH 35-0440	0313834	Steel	440	35
SLH 35-0450	0313835	Steel	450	35
SLH 35-0460	0313836	Steel	460	35
SLH 35-0470	0313837	Steel	470	35
SLH 35-0480	0313838	Steel	480	35
SLH 35-0490	0313839	Steel	490	35
SLH 35-0500	0313840	Steel	500	35
SLH 35-0510	0313841	Steel	510	35
SLH 35-0520	0313842	Steel	520	35
SLH 35-0530	0313843	Steel	530	35

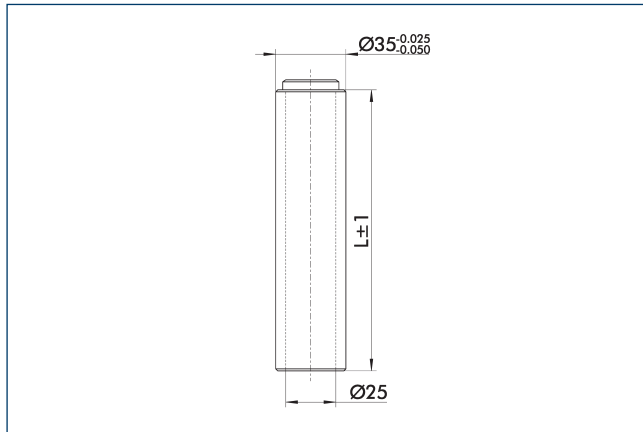
Technical data

Description	ID	Material	Length	pillar diameter
SLH 35-0540	0313844	Steel	540	35
SLH 35-0550	0313845	Steel	550	35
SLH 35-0560	0313846	Steel	560	35
SLH 35-0570	0313847	Steel	570	35
SLH 35-0580	0313848	Steel	580	35
SLH 35-0590	0313849	Steel	590	35
SLH 35-0600	0313850	Steel	600	35
SLH 35-0610	0313851	Steel	610	35
SLH 35-0620	0313852	Steel	620	35
SLH 35-0630	0313853	Steel	630	35
SLH 35-0640	0313854	Steel	640	35
SLH 35-0650	0313855	Steel	650	35
SLH 35-0660	0313856	Steel	660	35
SLH 35-0670	0313857	Steel	670	35
SLH 35-0680	0313858	Steel	680	35
SLH 35-0690	0313859	Steel	690	35
SLH 35-0700	0313860	Steel	700	35
SLH 35-0710	0313861	Steel	710	35
SLH 35-0720	0313862	Steel	720	35
SLH 35-0730	0313863	Steel	730	35
SLH 35-0740	0313864	Steel	740	35
SLH 35-0750	0313865	Steel	750	35
SLH 35-0760	0313866	Steel	760	35
SLH 35-0770	0313867	Steel	770	35
SLH 35-0780	0313868	Steel	780	35
SLH 35-0790	0313869	Steel	790	35
SLH 35-0800	0313870	Steel	800	35
SLH 35-0810	0313871	Steel	810	35
SLH 35-0820	0313872	Steel	820	35
SLH 35-0830	0313873	Steel	830	35
SLH 35-0840	0313874	Steel	840	35
SLH 35-0850	0313875	Steel	850	35
SLH 35-0860	0313876	Steel	860	35
SLH 35-0870	0313877	Steel	870	35
SLH 35-0880	0313878	Steel	880	35
SLH 35-0890	0313879	Steel	890	35
SLH 35-0900	0313880	Steel	900	35
SLH 35-0910	0313881	Steel	910	35
SLH 35-0920	0313882	Steel	920	35
SLH 35-0930	0313883	Steel	930	35
SLH 35-0940	0313884	Steel	940	35
SLH 35-0950	0313885	Steel	950	35
SLH 35-0960	0313886	Steel	960	35
SLH 35-0970	0313887	Steel	970	35
SLH 35-0980	0313888	Steel	980	35
SLH 35-0990	0313889	Steel	990	35
SLH 35-1000	0313890	Steel	1000	35

SLH 35

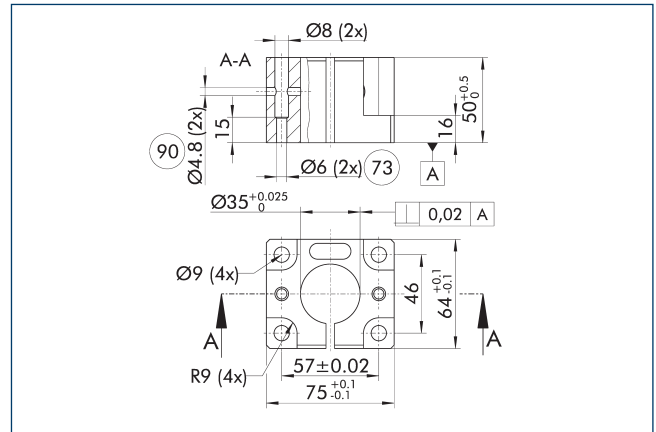
pillar assembly system hollow pillar

Hollow pillar SLH



The hollow pillars SLH can be also ordered in customer-specified lengths.

Single base support, SOE 35



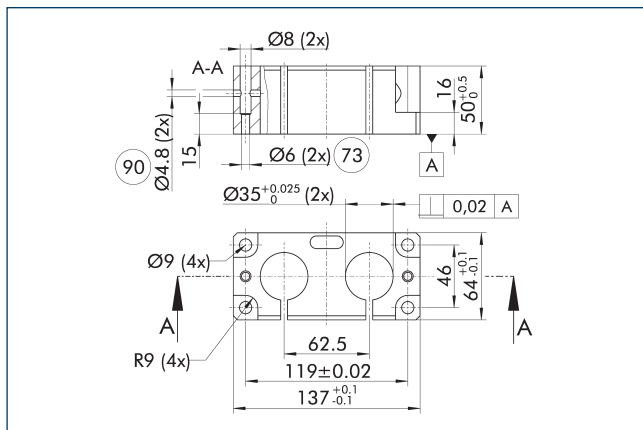
73 Fit for centering pins

90 Auxiliary hole for centering the column

Base for fastening the pillars

Description	ID	pillar diameter [mm]	Material
Pillar assembly system base support socket			
SOE 35	0313891	35	Aluminum

Double base SOD 35



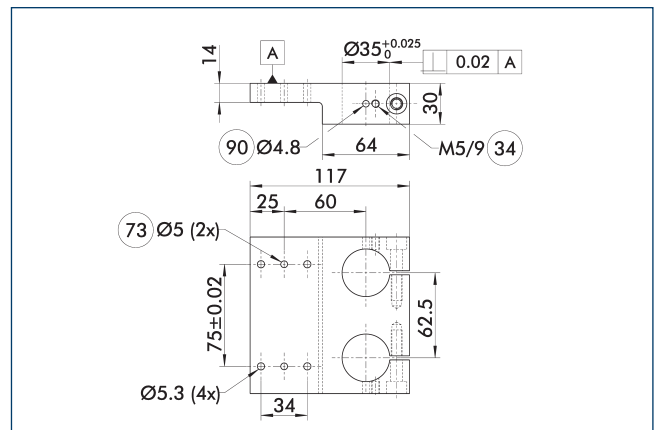
73 Fit for centering pins

90 Auxiliary hole for centering the column

Base for fastening the pillars

Description	ID	pillar diameter [mm]	Material
Pillar assembly system base support socket			
SOD 35	0313892	35	Aluminum

Double mounting plate, horizontal AMDH 35



34 On both sides

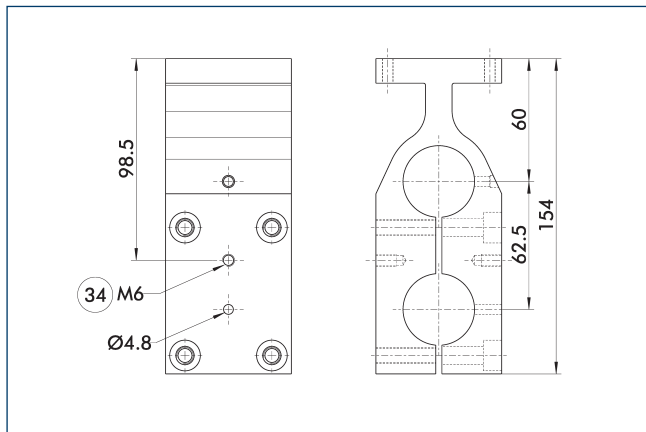
73 Fit for centering pins

90 Auxiliary hole for centering the column

Mounting plate for horizontal connection of various modules or customized assemblies to the pillar assembly system.

Description	ID	pillar diameter [mm]	Material
Pillar assembly system mounting plate			
AMDH 35	0313688	35	Aluminum

Double mounting plate, vertical AMDV 35

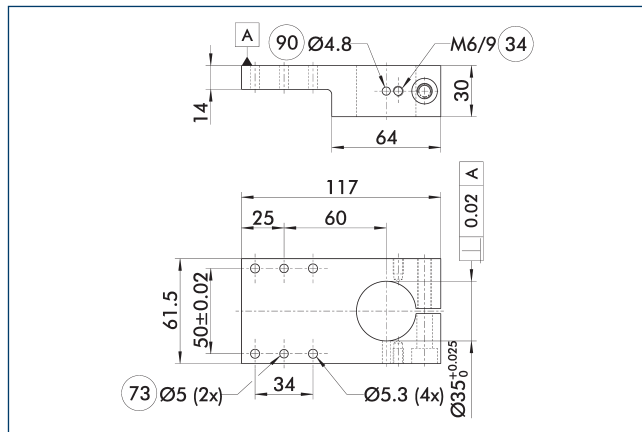


34 On both sides

Mounting plate for vertical connection of various modules or customized assemblies to the pillar assembly system.

Description	ID	pillar diameter [mm]	Material
Pillar assembly system mounting plate			
AMDV 35	0313690	35	Aluminum

Single mounting plate, horizontal, AMEH 35



34 On both sides

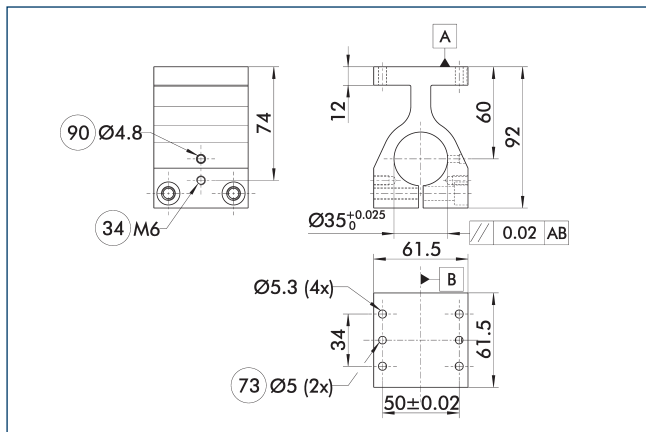
90 Auxiliary hole for centering the column

73 Fit for centering pins

Mounting plate for horizontal connection of various modules or customized assemblies to the pillar assembly system.

Description	ID	pillar diameter [mm]	Material
Pillar assembly system mounting plate			
AMEH 35	0313687	35	Aluminum

Single mounting plate, vertical, AMEV 35



34 On both sides

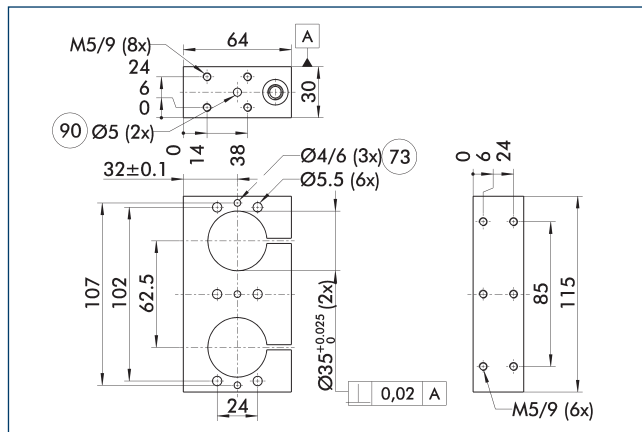
90 Auxiliary hole for centering the column

73 Fit for centering pins

Mounting plate for horizontal connection of various modules or customized assemblies to the pillar assembly system.

Description	ID	pillar diameter [mm]	Material
Pillar assembly system mounting plate			
AMEV 35	0313689	35	Aluminum

Double mounting plate, horizontal, APDA 35



73 Fit for centering pins

90 Auxiliary hole for centering the column

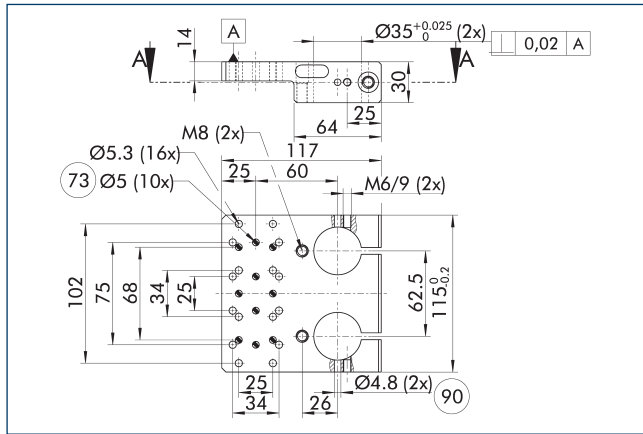
Mounting plate for axial connection of various modules or customized assemblies to the pillar assembly system.

Description	ID	pillar diameter [mm]	Material
Pillar assembly system mounting plate			
APDA 35	0313477	35	Aluminum

SLH 35

pillar assembly system hollow pillar

Double mounting plate, horizontal APDH 35

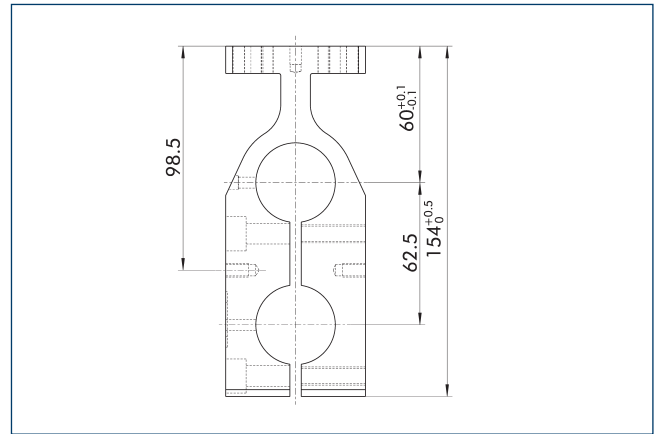


- 73 Fit for centering pins
- 90 Auxiliary hole for centering the column

Mounting plate for horizontal connection of various modules or customized assemblies to the pillar assembly system.

Description	ID	pillar diameter [mm]	Material
Pillar assembly system mounting plate			
APDH 35	0313894	35	Aluminum

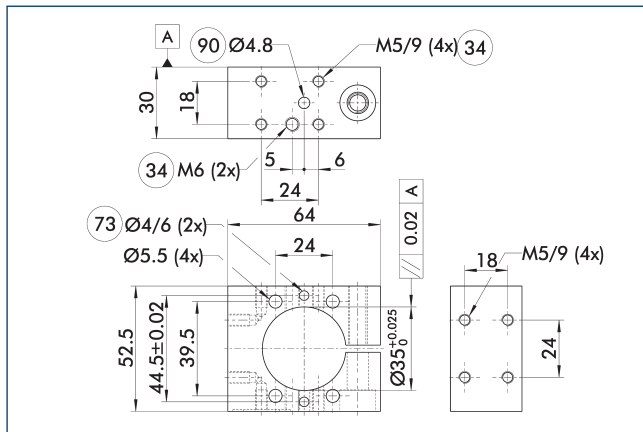
Double mounting plate, vertical APDV 35



Mounting plate for vertical connection of various modules or customized assemblies to the pillar assembly system.

Description	ID	pillar diameter [mm]	Material
Pillar assembly system mounting plate			
APDV 35	0313896	35	Aluminum

Single mounting plate, axial, APEA 35

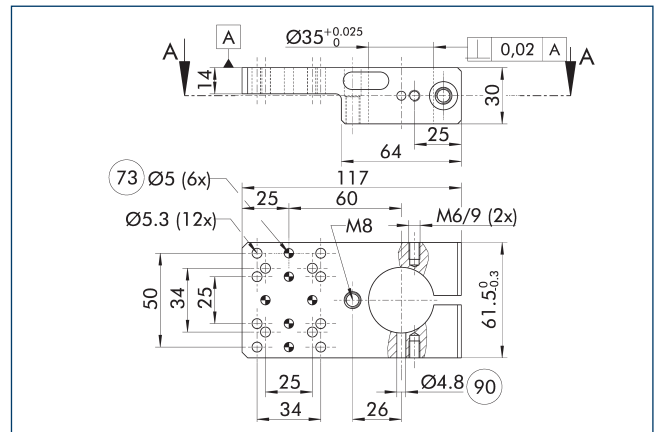


- 34 On both sides
- 73 Fit for centering pins
- 90 Auxiliary hole for centering the column

Mounting plate for axial connection of various modules or customized assemblies to the pillar assembly system.

Description	ID	pillar diameter [mm]	Material
Pillar assembly system mounting plate			
APEA 35	0313686	35	Aluminum

Single mounting plate, horizontal, APEH 35

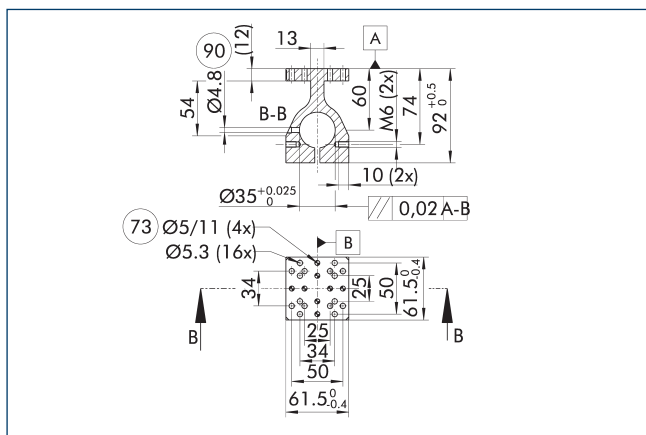


- 73 Fit for centering pins
- 90 Auxiliary hole for centering the column

Mounting plate for horizontal connection of various modules or customized assemblies to the pillar assembly system.

Description	ID	pillar diameter [mm]	Material
Pillar assembly system mounting plate			
APEH 35	0313893	35	Aluminum

Single mounting plate, vertical, APEV 35

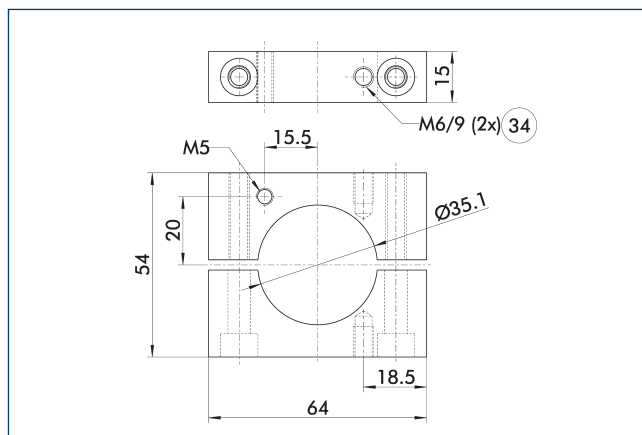


- 73 Fit for centering pins
- 90 Auxiliary hole for centering the column

Mounting plate for vertical connection of various modules or customized assemblies to the pillar assembly system.

Description	ID	pillar diameter [mm]	Material
Pillar assembly system mounting plate			
APEV 35	0313895	35	Aluminum

Adjusting ring STG 35

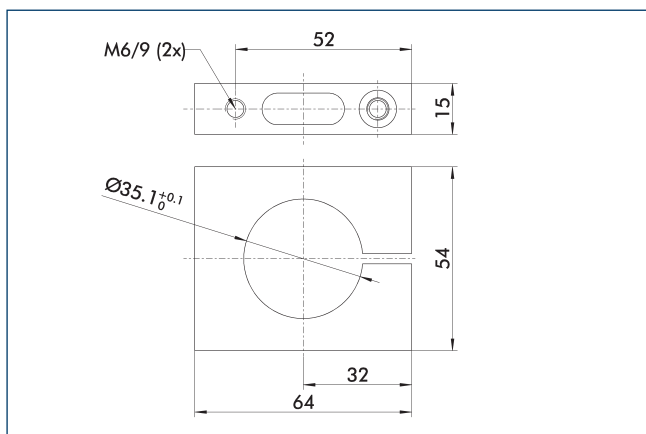


- 34 On both sides

Set collar for exact positioning of structural elements

Description	ID	Material
Pillar assembly system set collar		
STG 35	0313691	Aluminum

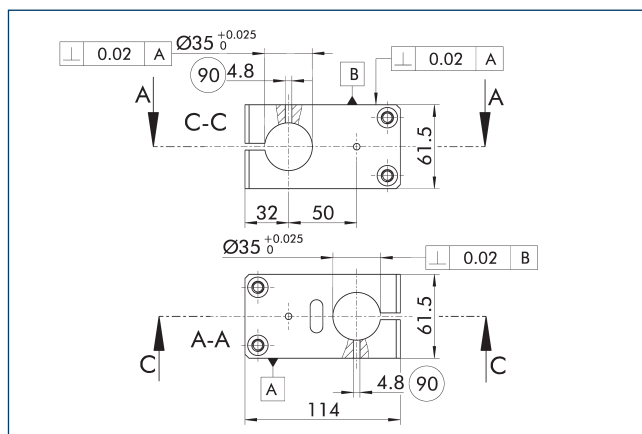
Adjusting ring STR 35



Set collar for exact positioning of structural elements

Description	ID	pillar diameter [mm]	Material
Pillar assembly system set collar			
STR 35	0313897	35	Aluminum

Cross connector, KVB 35



- 90 Auxiliary hole for centering the column

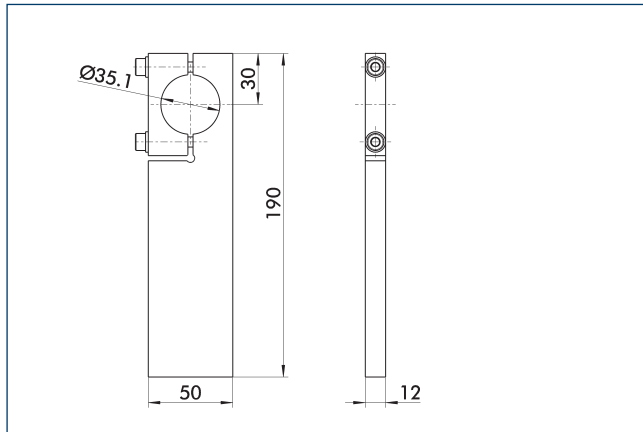
Cross connector for implementing perpendicular extended variants

Description	ID	pillar diameter [mm]	Material
Pillar assembly system cross connector			
KVB 35	0313898	35	Aluminum

SLH 35

pillar assembly system hollow pillar

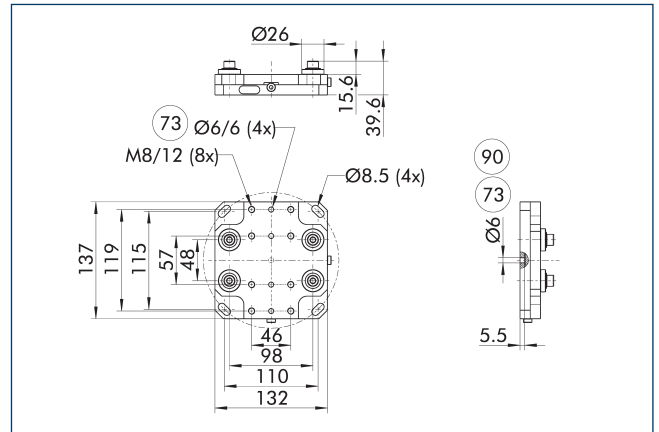
Mounting plate, MPL 35



Mounting plate for extending and supporting the pillar assembly system

Description	ID	pillar diameter [mm]	Material
Pillar assembly system mounting plates			
MPL 35	0313899	35	Aluminum

Adjustment unit VEH 35



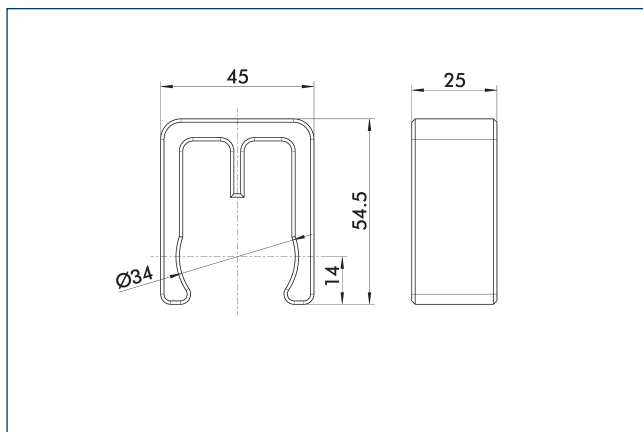
⑦③ Fit for centering pins

⑨① Centring as an axis of rotation

Adjustment unit for easy fine adjustment of the finished handling assembly

Description	ID	Adjustment range XY [mm]	Adjustment angle Z [°]
Pillar assembly system adjustment unit			
VEH 35	0313513	± 4	± 3

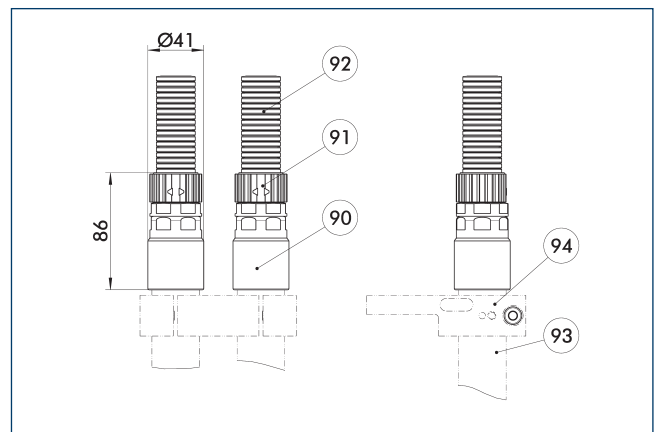
Media feeding clip MFC 35



Clip for orderly media feeding along pillars

Description	ID
Attachment clip	
MFC 35	0313695

Media routing pillars Ø 35



⑨① Cap MFK

⑨③ Hollow pillar SLH

⑨① Screw connection MFV

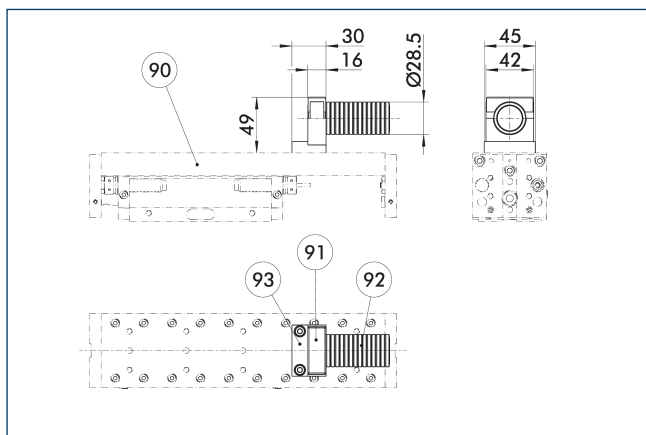
⑨④ Mounting plates

⑨② Tube MFS

Media routings for feeding through the supply lines through the hollow pillars.

Description	ID
Pillar assembly system media feed-through	
MFK 35-21	0313696
MFS 21	0313678
MFV 21	0313674

Media routing hose module \varnothing 21

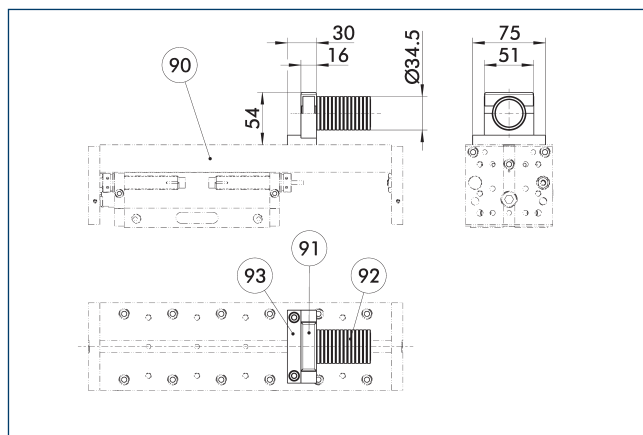


- 90 Linear module
- 91 Tube fastener MFB
- 92 Tube MFS
- 93 Tube plate SPL

Media routing with direct mounting on SCHUNK standard modules.

Description	ID	
Pillar assembly system media feed-through		
MFB 21	0313676	
MFS 21	0313678	
SPL 50	0313692	

Media routing hose module \varnothing 29



- 90 Linear module
- 91 Tube fastener MFB
- 92 Tube MFS
- 93 Tube plate SPL

Media routing with direct mounting on SCHUNK standard modules.

Description	ID	
Pillar assembly system media feed-through		
MFB 29	0313677	
MFS 29	0313679	
SPL 200	0313693	

SLH 55

pillar assembly system hollow pillar



Technical data

Description	ID	Material	Length [mm]	pillar diameter [mm]
SLH 55-0150	0313700	Steel	150	55
SLH 55-0160	0313701	Steel	160	55
SLH 55-0170	0313702	Steel	170	55
SLH 55-0180	0313703	Steel	180	55
SLH 55-0190	0313704	Steel	190	55
SLH 55-0200	0313705	Steel	200	55
SLH 55-0210	0313706	Steel	210	55
SLH 55-0220	0313707	Steel	220	55
SLH 55-0230	0313708	Steel	230	55
SLH 55-0240	0313709	Steel	240	55
SLH 55-0250	0313710	Steel	250	55
SLH 55-0260	0313711	Steel	260	55
SLH 55-0270	0313712	Steel	270	55
SLH 55-0280	0313713	Steel	280	55
SLH 55-0290	0313714	Steel	290	55
SLH 55-0300	0313715	Steel	300	55
SLH 55-0310	0313716	Steel	310	55
SLH 55-0320	0313717	Steel	320	55
SLH 55-0330	0313718	Steel	330	55
SLH 55-0340	0313719	Steel	340	55
SLH 55-0350	0313720	Steel	350	55
SLH 55-0360	0313721	Steel	360	55
SLH 55-0370	0313722	Steel	370	55
SLH 55-0380	0313723	Steel	380	55
SLH 55-0390	0313724	Steel	390	55
SLH 55-0400	0313725	Steel	400	55
SLH 55-0410	0313726	Steel	410	55
SLH 55-0420	0313727	Steel	420	55
SLH 55-0430	0313728	Steel	430	55
SLH 55-0440	0313729	Steel	440	55
SLH 55-0450	0313730	Steel	450	55
SLH 55-0460	0313731	Steel	460	55
SLH 55-0470	0313732	Steel	470	55
SLH 55-0480	0313733	Steel	480	55
SLH 55-0490	0313734	Steel	490	55
SLH 55-0500	0313735	Steel	500	55
SLH 55-0510	0313736	Steel	510	55
SLH 55-0520	0313737	Steel	520	55
SLH 55-0530	0313738	Steel	530	55
SLH 55-0540	0313739	Steel	540	55
SLH 55-0550	0313740	Steel	550	55
SLH 55-0560	0313741	Steel	560	55
SLH 55-0570	0313742	Steel	570	55
SLH 55-0580	0313743	Steel	580	55

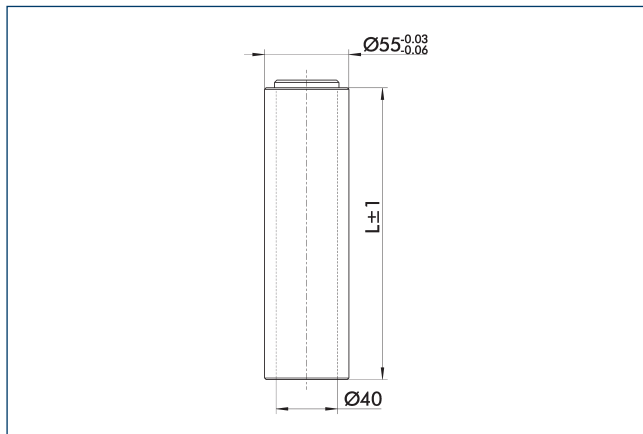
Technical data

Description	ID	Material	Length	pillar diameter
SLH 55-0590	0313744	Steel	590	55
SLH 55-0600	0313745	Steel	600	55
SLH 55-0610	0313746	Steel	610	55
SLH 55-0620	0313747	Steel	620	55
SLH 55-0630	0313748	Steel	630	55
SLH 55-0640	0313749	Steel	640	55
SLH 55-0650	0313750	Steel	650	55
SLH 55-0660	0313751	Steel	660	55
SLH 55-0670	0313752	Steel	670	55
SLH 55-0680	0313753	Steel	680	55
SLH 55-0690	0313754	Steel	690	55
SLH 55-0700	0313755	Steel	700	55
SLH 55-0710	0313756	Steel	710	55
SLH 55-0720	0313757	Steel	720	55
SLH 55-0730	0313758	Steel	730	55
SLH 55-0740	0313759	Steel	740	55
SLH 55-0750	0313760	Steel	750	55
SLH 55-0760	0313761	Steel	760	55
SLH 55-0770	0313762	Steel	770	55
SLH 55-0780	0313763	Steel	780	55
SLH 55-0790	0313764	Steel	790	55
SLH 55-0800	0313765	Steel	800	55
SLH 55-0810	0313766	Steel	810	55
SLH 55-0820	0313767	Steel	820	55
SLH 55-0830	0313768	Steel	830	55
SLH 55-0840	0313769	Steel	840	55
SLH 55-0850	0313770	Steel	850	55
SLH 55-0860	0313771	Steel	860	55
SLH 55-0870	0313772	Steel	870	55
SLH 55-0880	0313773	Steel	880	55
SLH 55-0890	0313774	Steel	890	55
SLH 55-0900	0313775	Steel	900	55
SLH 55-0910	0313776	Steel	910	55
SLH 55-0920	0313777	Steel	920	55
SLH 55-0930	0313778	Steel	930	55
SLH 55-0940	0313779	Steel	940	55
SLH 55-0950	0313780	Steel	950	55
SLH 55-0960	0313781	Steel	960	55
SLH 55-0970	0313782	Steel	970	55
SLH 55-0980	0313783	Steel	980	55
SLH 55-0990	0313784	Steel	990	55
SLH 55-1000	0313785	Steel	1000	55

SLH 55

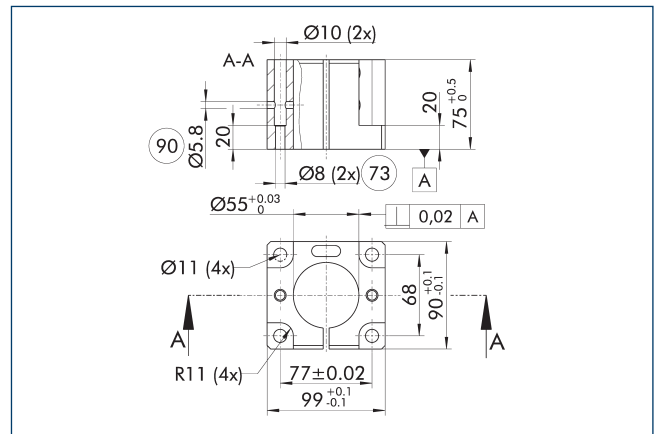
pillar assembly system hollow pillar

Hollow pillar SLH



The hollow pillars SLH can be also ordered in customer-specified lengths.

Single base support, SOE 55



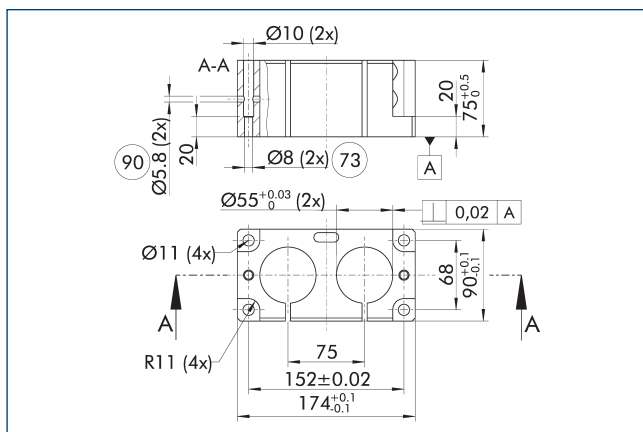
73 Fit for centering pins

90 Auxiliary hole for centering the column

Base for fastening the pillars

Description	ID	pillar diameter [mm]	Material
Pillar assembly system base support socket			
SOE 55	0313408	55	Aluminum

Double base SOD 55



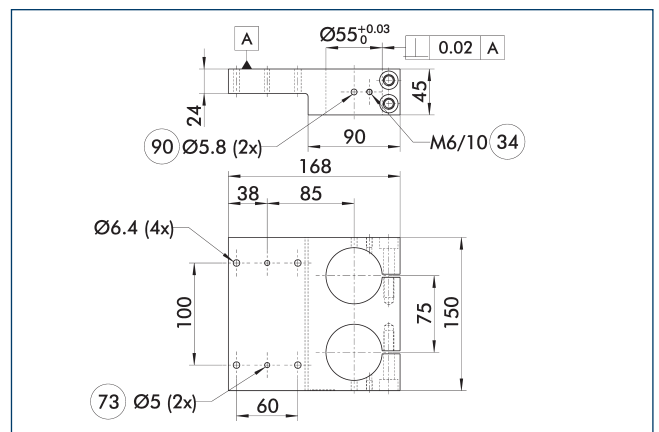
73 Fit for centering pins

90 Auxiliary hole for centering the column

Base for fastening the pillars

Description	ID	pillar diameter [mm]	Material
Pillar assembly system base support socket			
SOD 55	0313409	55	Aluminum

Double mounting plate, horizontal AMDH 55



34 On both sides

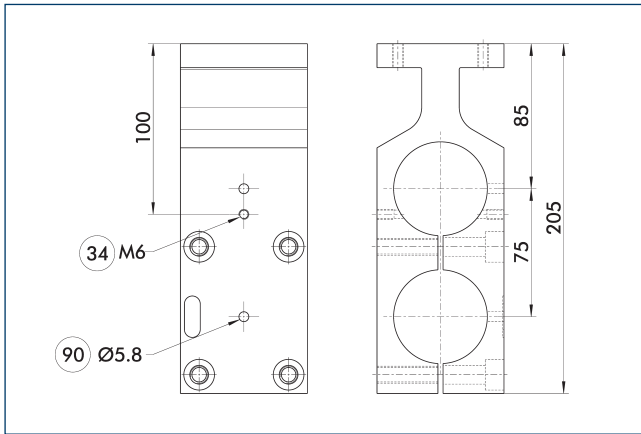
73 Fit for centering pins

90 Auxiliary hole for centering the column

Mounting plate for horizontal connection of various modules or customized assemblies to the pillar assembly system.

Description	ID	pillar diameter [mm]	Material
Pillar assembly system mounting plate			
AMDH 55	0313682	55	Aluminum

Double mounting plate, vertical AMDV 55

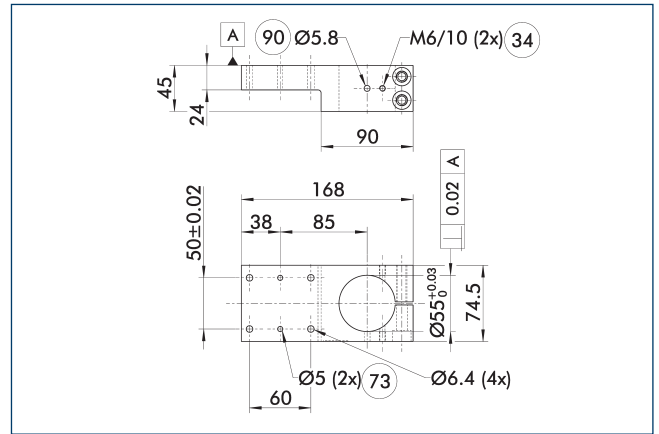


- 34 On both sides
- 90 Auxiliary hole for centering the column

Mounting plate for vertical connection of various modules or customized assemblies to the pillar assembly system.

Description	ID	pillar diameter [mm]	Material
Pillar assembly system mounting plate			
AMDV 55	0313684	55	Aluminum

Single mounting plate, horizontal, AMEH 55

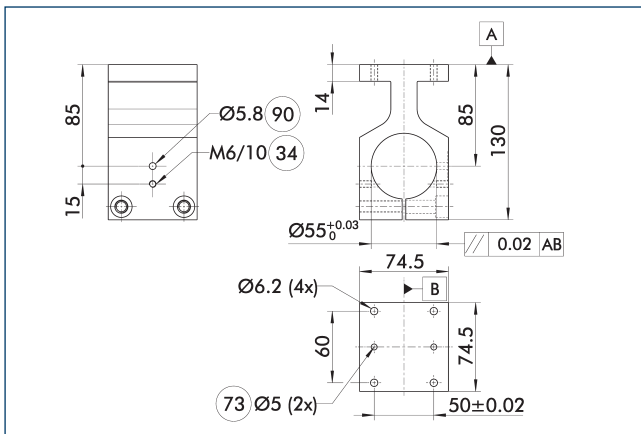


- 34 On both sides
- 73 Fit for centering pins
- 90 Auxiliary hole for centering the column

Mounting plate for horizontal connection of various modules or customized assemblies to the pillar assembly system.

Description	ID	pillar diameter [mm]	Material
Pillar assembly system mounting plate			
AMEH 55	0313681	55	Aluminum

Single mounting plate, vertical, AMEV 55

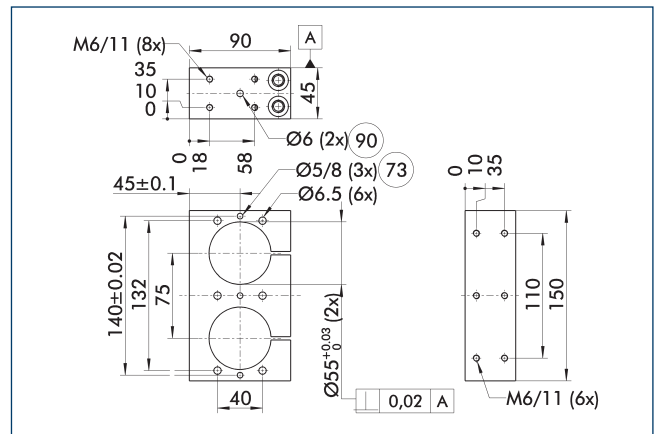


- 34 On both sides
- 73 Fit for centering pins
- 90 Auxiliary hole for centering the column

Mounting plate for horizontal connection of various modules or customized assemblies to the pillar assembly system.

Description	ID	pillar diameter [mm]	Material
Pillar assembly system mounting plate			
AMEV 55	0313683	55	Aluminum

Double mounting plate axial APDA 55



- 73 Fit for centering pins
- 90 Auxiliary hole for centering the column

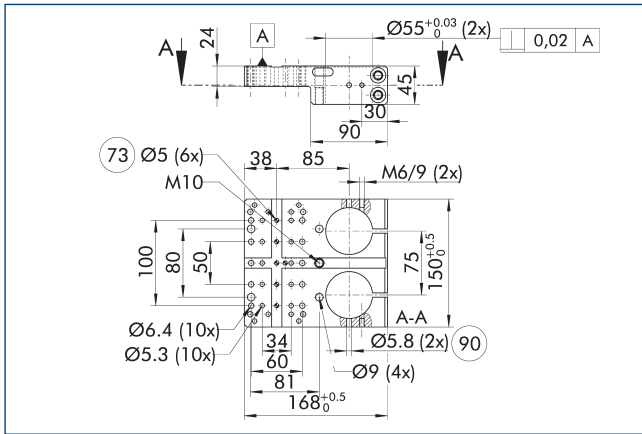
Mounting plate for axial connection of various modules or customized assemblies to the pillar assembly system.

Description	ID	pillar diameter [mm]	Material
Pillar assembly system mounting plate			
APDA 55	0313478	55	Aluminum

SLH 55

pillar assembly system hollow pillar

Double mounting plate, horizontal APDH 85

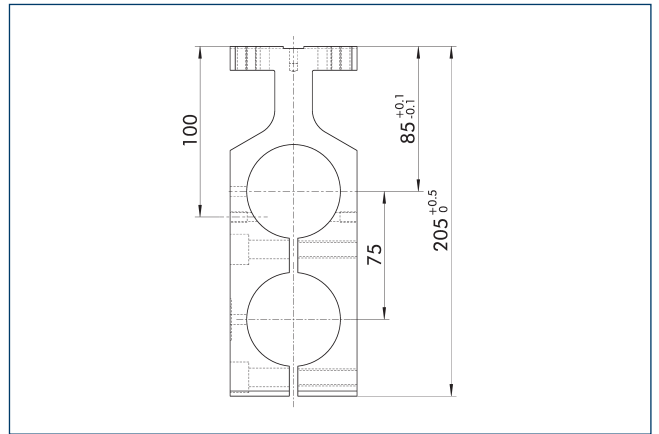


- 73 Fit for centering pins
- 90 Auxiliary hole for centering the column

Mounting plate for horizontal connection of various modules or customized assemblies to the pillar assembly system.

Description	ID	pillar diameter [mm]	Material
Pillar assembly system mounting plate			
APDH 85	0313414	55	Aluminum

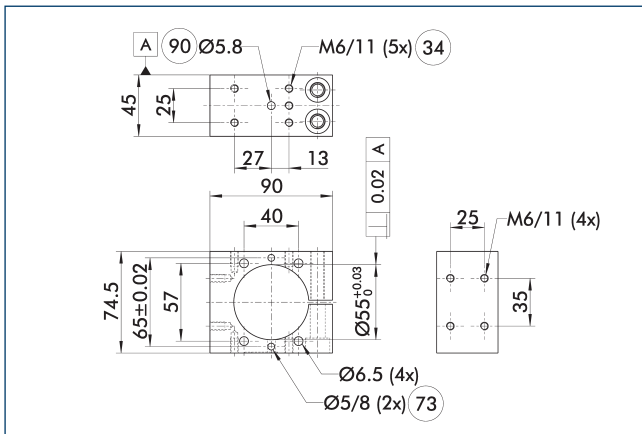
Double mounting plate, vertical APDV 85



Mounting plate for vertical connection of various modules or customized assemblies to the pillar assembly system.

Description	ID	pillar diameter [mm]	Material
Pillar assembly system mounting plate			
APDV 85	0313416	55	Aluminum

Single mounting plate, axial, APEA 55

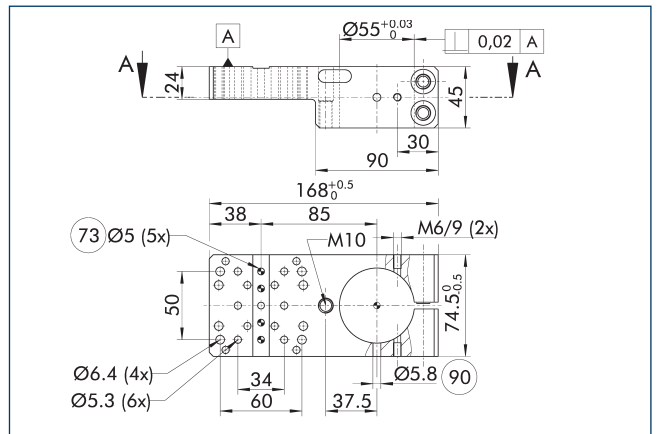


- 34 On both sides
- 73 Fit for centering pins
- 90 Auxiliary hole for centering the column

Mounting plate for axial connection of various modules or customized assemblies to the pillar assembly system.

Description	ID	pillar diameter [mm]	Material
Pillar assembly system mounting plate			
APEA 55	0313680	55	Aluminum

Single mounting plate, horizontal, APEH 85

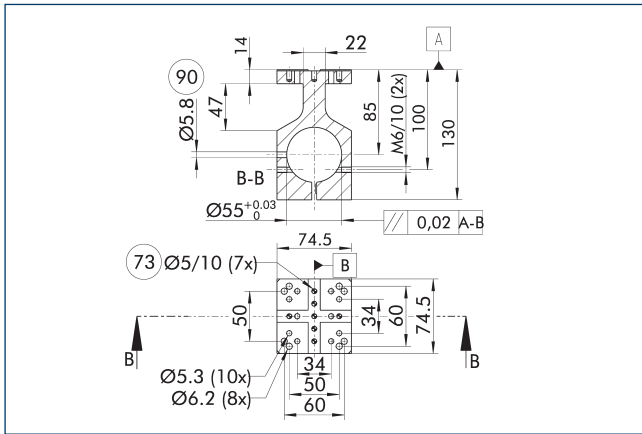


- 73 Fit for centering pins
- 90 Auxiliary hole for centering the column

Mounting plate for horizontal connection of various modules or customized assemblies to the pillar assembly system.

Description	ID	pillar diameter [mm]	Material
Pillar assembly system mounting plate			
APEH 85	0313413	55	Aluminum

Single mounting plate, vertical, APEV 85

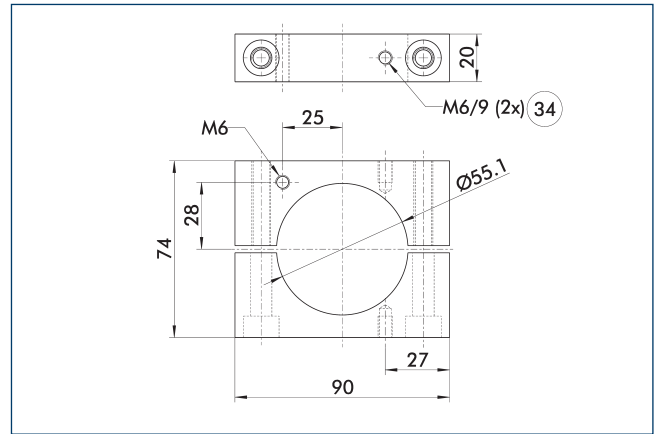


- 73 Fit for centering pins
- 90 Auxiliary hole for centering the column

Mounting plate for vertical connection of various modules or customized assemblies to the pillar assembly system.

Description	ID	pillar diameter [mm]	Material
Pillar assembly system mounting plate			
APEV 85	0313415	55	Aluminum

Adjusting ring STG 35

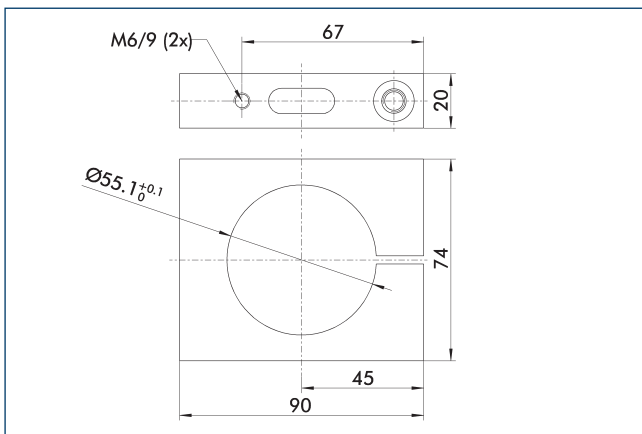


- 34 On both sides

Set collar for exact positioning of structural elements

Description	ID	Material
Pillar assembly system set collar		
STG 55	0313685	Aluminum

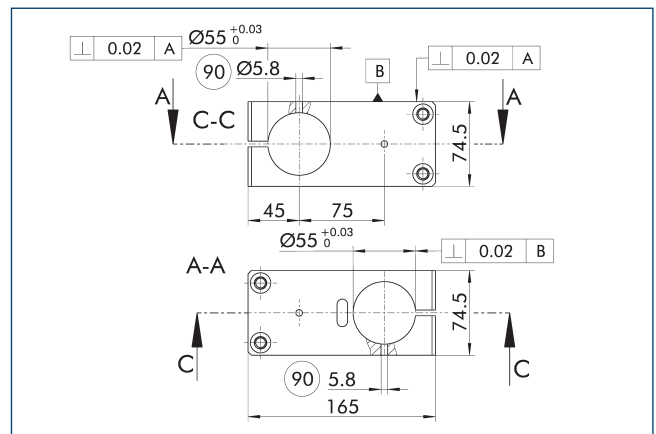
Adjusting ring STR 55



Set collar for exact positioning of structural elements

Description	ID	pillar diameter [mm]	Material
Pillar assembly system set collar			
STR 55	0313417	55	Aluminum

Cross connector, KVB 75



- 90 Auxiliary hole for centering the column

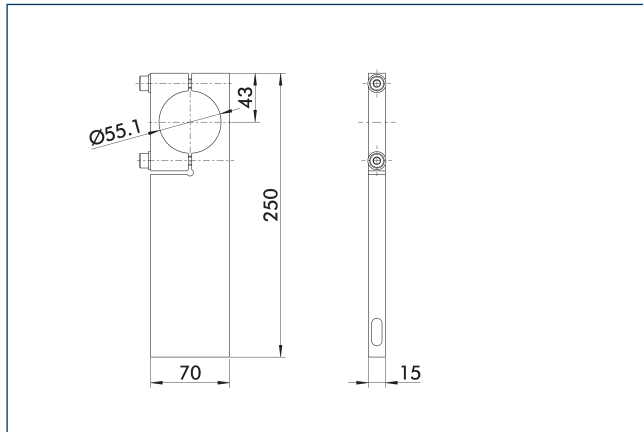
Cross connector for implementing perpendicular extended variants

Description	ID	pillar diameter [mm]	Material
Pillar assembly system cross connector			
KVB 75	0313418	55	Aluminum

SLH 55

pillar assembly system hollow pillar

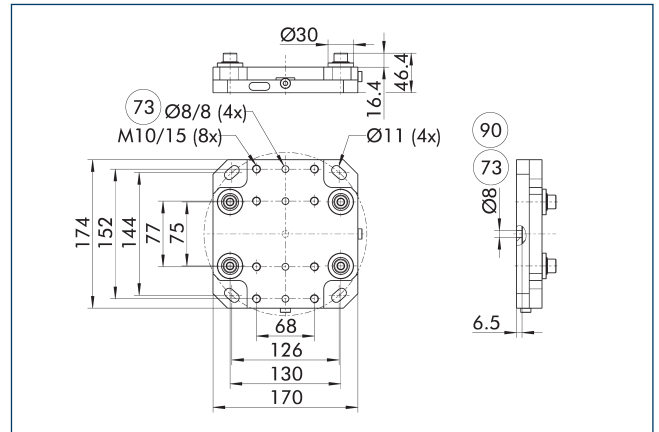
Mounting plate MPL 250



Mounting plate for extending and supporting the pillar assembly system

Description	ID	pillar diameter [mm]	Material
Pillar assembly system mounting plates			
MPL 250	0313419	55	Aluminum

Adjustment unit VEH 55

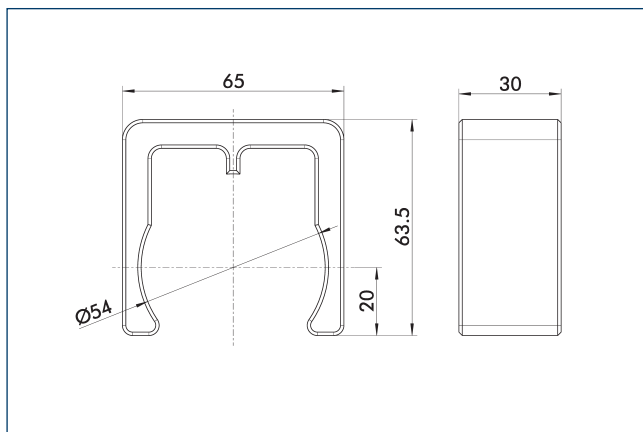


73 Fit for centering pins 90 Centring as an axis of rotation

Adjustment unit for easy fine adjustment of the finished handling assembly

Description	ID	Adjustment range XY [mm]	Adjustment angle Z [°]
Pillar assembly system adjustment unit			
VEH 55	0313514	± 5	± 2.5

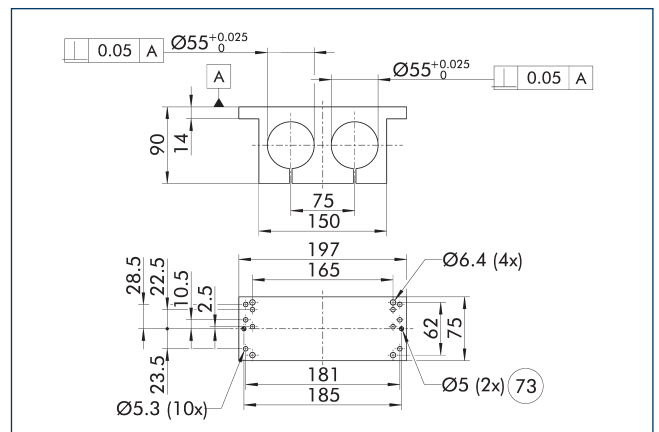
Media feeding clip MFC 55



Clip for orderly media feeding along pillars

Description	ID	
Attachment clip		
MFC 55	0313694	

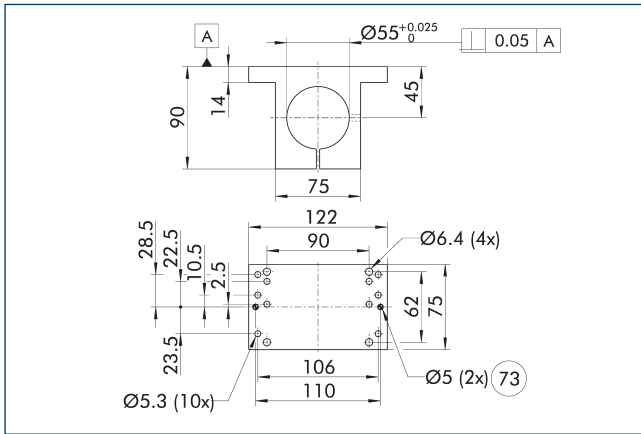
Double mounting plate, vertical ADV 55



Mounting plate for vertical connection of various modules or customized assemblies to the pillar assembly system.

Description	ID	pillar diameter [mm]	Material
Pillar assembly system mounting plate			
ADV 55	0313517	55	Aluminum

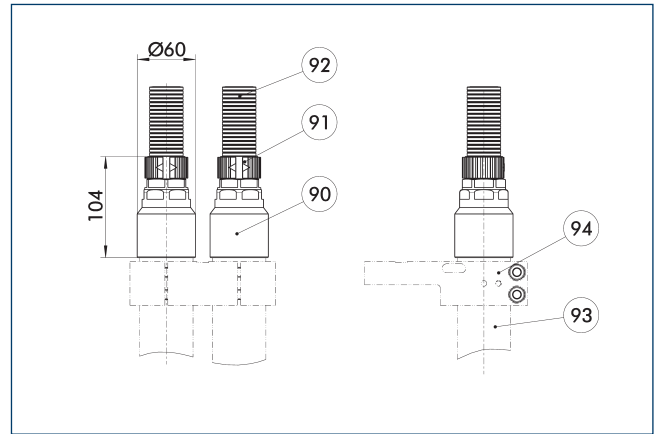
Single mounting plate, vertical, AEV 55



Mounting plate for vertical connection of various modules or customized assemblies to the pillar assembly system.

Description	ID	pillar diameter [mm]	Material
Pillar assembly system mounting plate			
AEV 55	0313516	55	Aluminum

Media routing pillars Ø 55

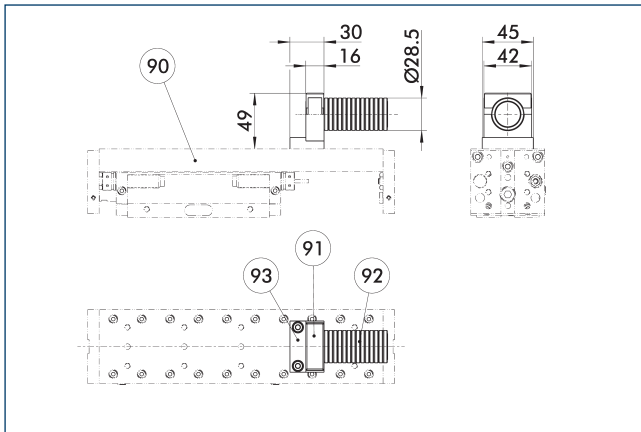


- 90 Cap MFK
- 91 Screw connection MFV
- 92 Tube MFS
- 93 Hollow pillar SLH
- 94 Mounting plates

Media routings for feeding through the supply lines through the hollow pillars.

Description	ID	
Pillar assembly system media feed-through		
MFK 55-21	0313697	
MFK 55-29	0313698	
MFS 21	0313678	
MFS 29	0313679	
MFV 21	0313674	
MFV 29	0313675	

Media routing hose module Ø 21

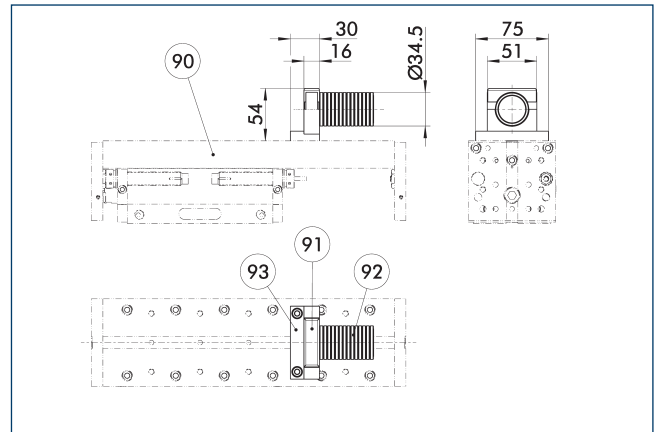


- 90 Linear module
- 91 Tube fastener MFB
- 92 Tube MFS
- 93 Tube plate SPL

Media routing with direct mounting on SCHUNK standard modules.

Description	ID	
Pillar assembly system media feed-through		
MFB 21	0313676	
MFS 21	0313678	
SPL 50	0313692	

Media routing hose module Ø 29



- 90 Linear module
- 91 Tube fastener MFB
- 92 Tube MFS
- 93 Tube plate SPL

Media routing with direct mounting on SCHUNK standard modules.

Description	ID	
Pillar assembly system media feed-through		
MFB 29	0313677	
MFS 29	0313679	
SPL 200	0313693	



SCHUNK GmbH & Co. KG
Spann- und Greiftechnik

Bahnhofstr. 106 - 134
D-74348 Lauffen/Neckar
Tel. +49-7133-103-0
Fax +49-7133-103-2399
info@de.schunk.com
schunk.com

Folgen Sie uns | *Follow us*

